

CO₂ TRUCK FILLING UNIT



CO₂ TRUCK FILLING UNIT (TFU)

The Truck Filling Unit is for loading and unloading of liquid CO₂. The unit is equipped with a two-way pump which enables it to pump from/to storage or transport tank.

The truck filling unit consists of a high pressure pump mounted together with valves and instrumentation on a skid.

The skid-mounted unit is to be placed on a levelled foundation and fixed by means of anchor bolts.

SCOPE OF SUPPLY

- High pressure CO₂ pump
- Safety valves
- Overflow valve and stop valves
- Start/stop control for CO₂ pump
- Pressure Indicators on both sides of pump
- Frame mounted

TFU BENEFITS

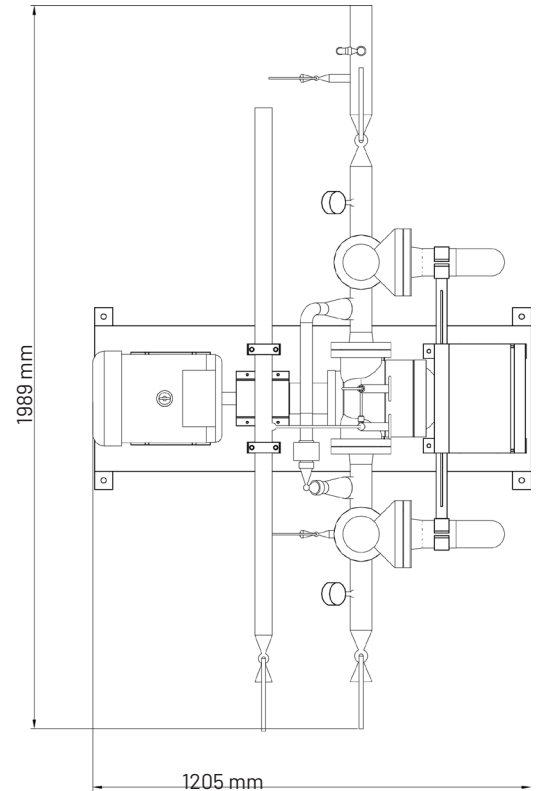
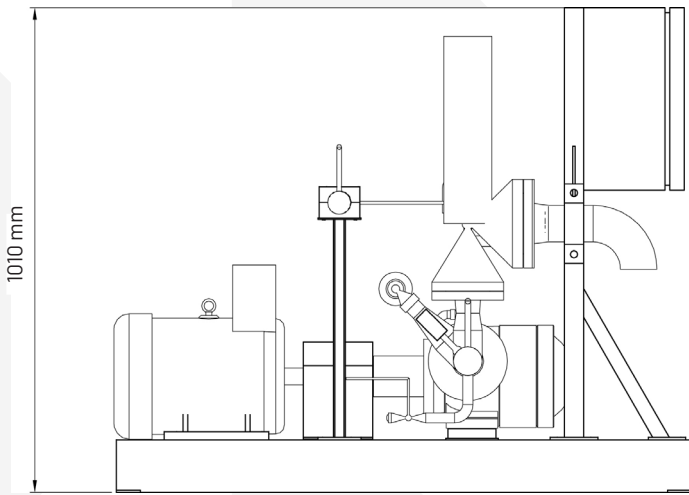
- 2-way pump
- Easy view to analogue pressure Indicators
- Gas return line to/from truck and to/from storage tank
- Low maintenance

Technical specification:	
Filling capacity	20 ton/h
Differential pressure	max. 3.5 bar (g)
Discharge pressure	max. 25 bar (g)(PSV set point)
AC motor	7.5 kW
Connection	Weld ends
Main Supply	3X380/415V + PE
Control Voltage	230VAC/24VDC
Frequency	50/60 Hz
Degree of Protection	IP 55

Weight and dimensions:	
Foot print	W1210 x L1990 x H1010 mm
Weight	Approx. 348 kg

Type:	Order number:
TFU	P064ITFU20

TFU dimensions



Flow Diagram

