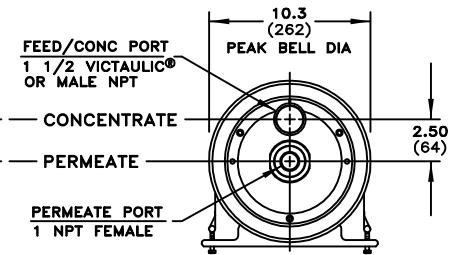
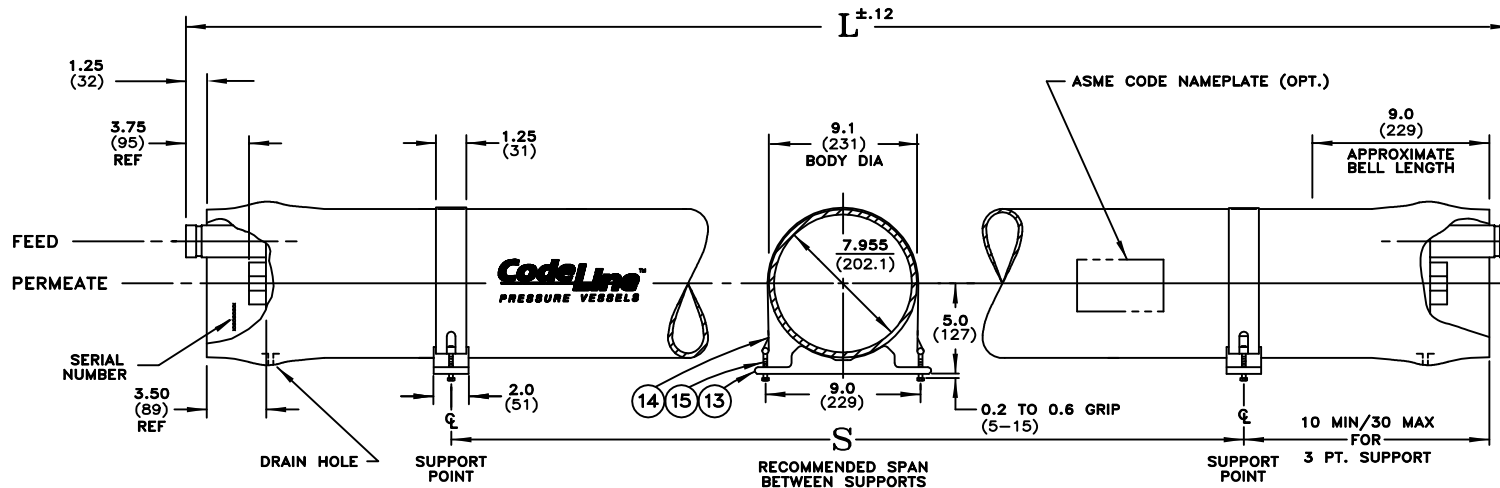
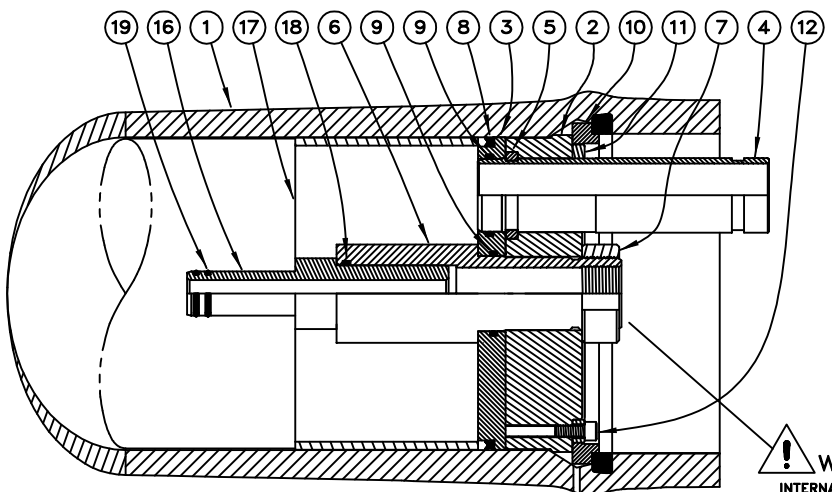


1000  
PSI



CENTER VESSEL ON 2 OR 3 SUPPORTS AS NOTED



SECTION THROUGH END CLOSURE

ITEM 17 DOWNSTREAM ONLY

**! WARNING!**  
INTERNAL PORT PRESSURE  
MUST NOT EXCEED 125 PSI

Dwg. Ref.	Qty. Per	Part Number	Part Name	Materials/Remarks
<b>SHELL</b>				
1	1		Shell	Filament wound epoxy/glass composite-Head locking grooves integrally wound in-place
<b>HEAD</b>				
2	2	50548	Bearing Plate	6061-T6 aluminum alloy-hard anodized
3	2	50550	Sealing Plate	PVC Thermoplastic
4	2	50556	Feed/Conc Port	Superaustenitic Stainless Steel - 6% Mo
5	2	45090	Port Retainer Set	304 Stainless Steel, Two-piece set
6	2	50558	Permeate Port	PVC Thermoplastic
7	2	45066	Port Nut	PVC Thermoplastic-left hand thread
8	2	45320	Head Seal	Ethylene Propylene, Quad Ring
9	4	45312	Port Seal	Ethylene Propylene, O-Ring
<b>HEAD INTERLOCK</b>				
10	6	45098	Locking Ring	316 Stainless Steel
11	2	50562	Securing Ring	Reinforced Plastic - Yellow Color
12	6	45228	Securing Screws	316 Stainless Steel
<b>VESSEL SUPPORT</b>				
13	*2	52169	Saddle	Engineering Thermoplastic
14	*2	45042	Strap Assy	304 Stainless Steel - PVC cushion
15	4	46265	Strap Screw	5/16-18 UNC, 18-8 Stainless Steel
<b>ELEMENT INTERFACE</b>				
16	2	As Required	Adapter	Engineering Thermoplastic
17	1	45069	Thrust Ring	Thermoplastic, White
18	2	45308	Adapter Seal	Ethylene Propylene - O-Ring
19	4	As Required	PWT Seal	Ethylene Propylene - O-Ring

\*3 each furnished with length code 6, 7, 7.5 & 8.

Shell Length Code	L L.O.A. IN (MM)	S Span IN (MM)	Empty Weight LB (KG)
1	65.0 (1651)	34 (864)	115 (52)
2	105.0 (2667)	56 (1422)	155 (70)
3	145.0 (3683)	80 (2032)	200 (91)
4	185.0 (4699)	104 (2642)	240 (109)
5	225.0 (5715)	128 (3251)	285 (129)
6	265.0 (6731)	* 3 PTS.	325 (147)
7	305.0 (7747)	* 3 PTS.	365 (166)
7.5	325.0 (8255)	* 3 PTS.	385 (175)
8	345.0 (8763)	* 3 PTS.	405 (184)

**MODEL E8S**  
**MEMBRANE HOUSING**

**NOTES:**  
• DIMENSIONS IN INCHES (MM APPROX)  
• NOT TO BE USED FOR CONSTRUCTION UNLESS CERTIFIED

ENGR AP 18NOV98	ECN 1179	SHEET 1 OF 1	SIZE B	NUMBER 507001	REV R
QLTY JK 19NOV98					
MRKT DWE 19NOV98					

